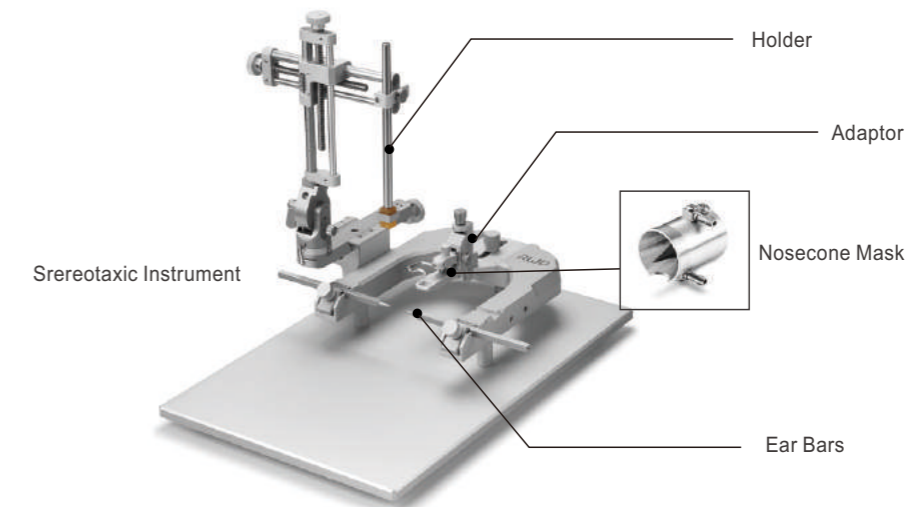
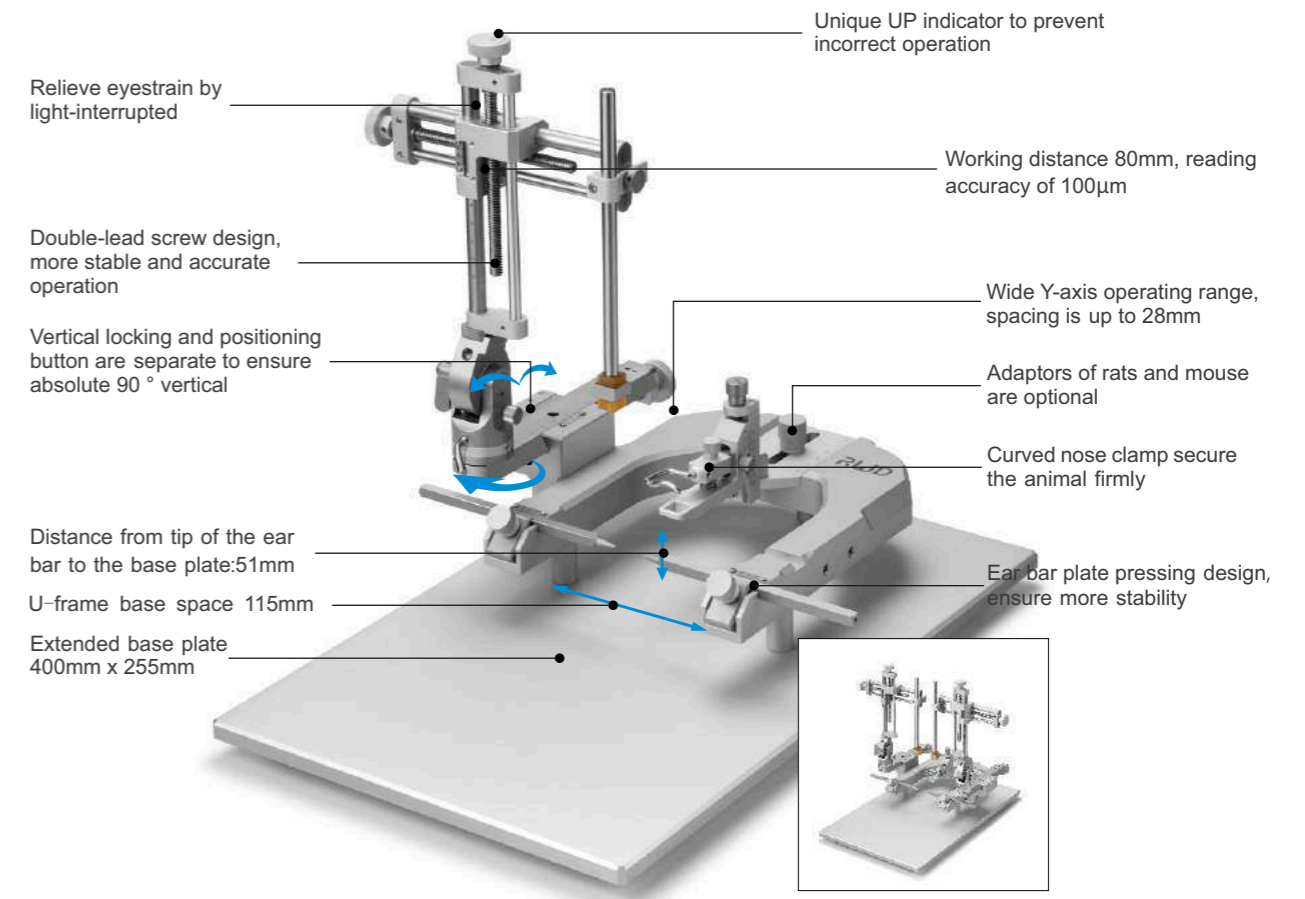


► Standard Stereotaxic Instrument

Classical U-type base design, professional services in the laboratory for 20 years!
 The displacement accuracy of the standard stereotaxic instrument is 100 μm, and the classic U-shaped frame can perform stereotaxic surgery on different types of small animals by replacing the adaptor and ear bars.



Complete Configuration = Stereotaxic Instrument + Adaptor + Ear Bars + Holder + Nosecone Mask (optional for gas anesthesia)

Order Information:

Model	Product Description	Remarks
68801	Standard Stereotaxic Instrument, SGL M	Standard configuration, contains 68861N base, 68401 3-axis manipulator-left, without adaptor, ear bars, holder and mask
68802	Standard Stereotaxic Instrument, Dual M	Standard configuration, contains 68861N base, 68401 3-axis manipulator-left and 68402 3-axis manipulator-right, without adaptor, ear bars, holder and mask
68861N	Stereotaxic Base Plate, Standard	68801, 68802 include
68401	3-Axis Manipulator-Left	68801, 68802 include
68402	3-Axis Manipulator-Right	68802 include

