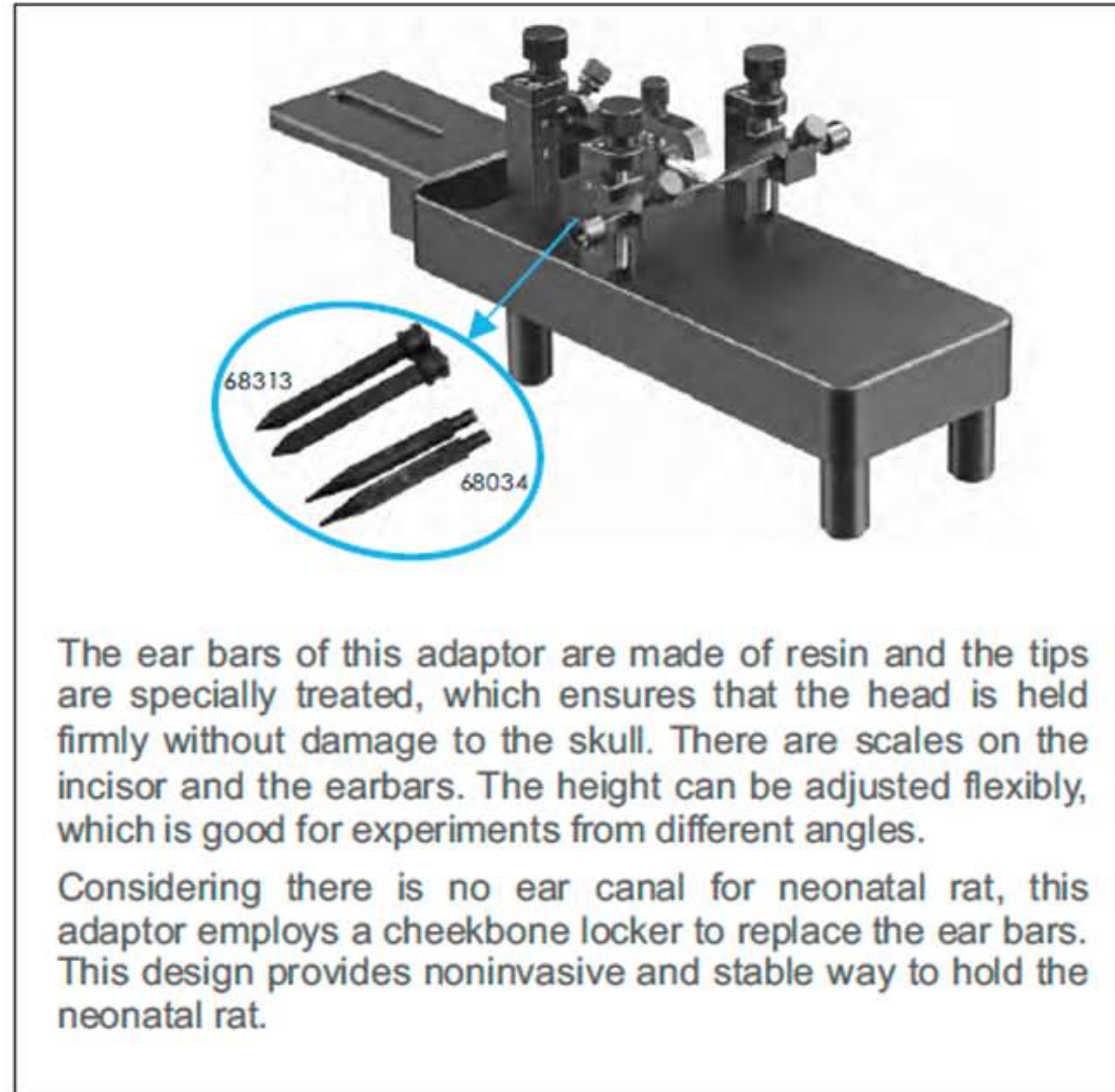


68030 Mouse/Neonatal Rat Adaptor
(with 18° ear bars 68034 and 45° ear bars 68313)



The ear bars of this adaptor are made of resin and the tips are specially treated, which ensures that the head is held firmly without damage to the skull. There are scales on the incisor and the earbars. The height can be adjusted flexibly, which is good for experiments from different angles.

Considering there is no ear canal for neonatal rat, this adaptor employs a cheekbone locker to replace the ear bars. This design provides noninvasive and stable way to hold the neonatal rat.