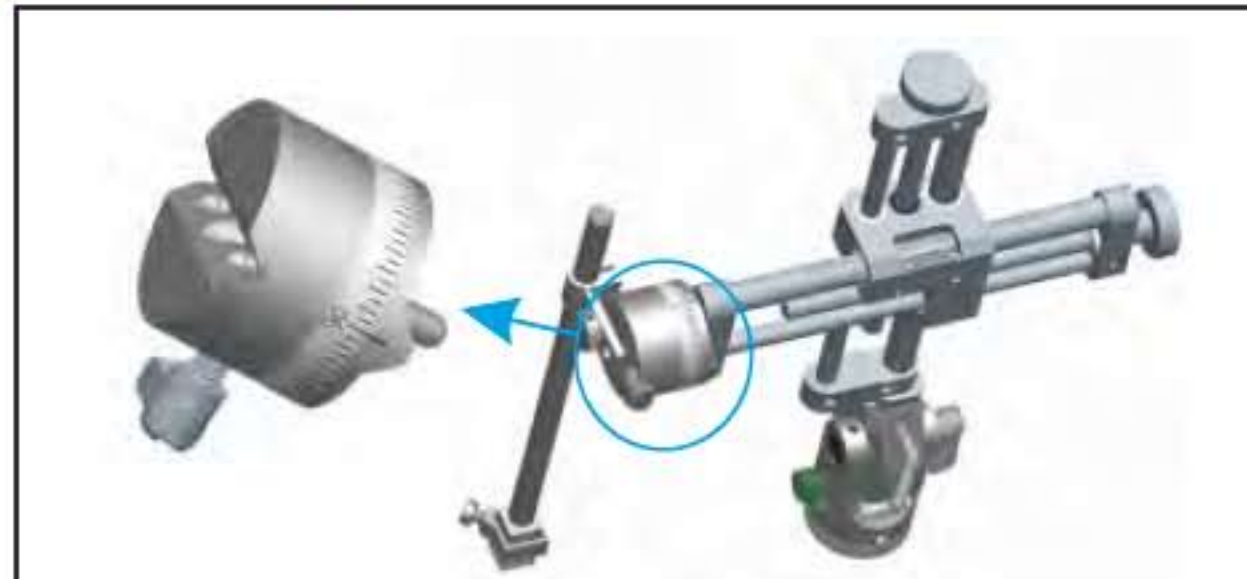


68412 D/V Rotation Adaptor
(2-axis Manipulator not included customized)



This adaptor can be easily installed onto the V-shaped groove of the manipulator. The rotation range is 360° with 5° accuracy. With this adaptor the operator can rotate the attachment fixed on it at any angle.