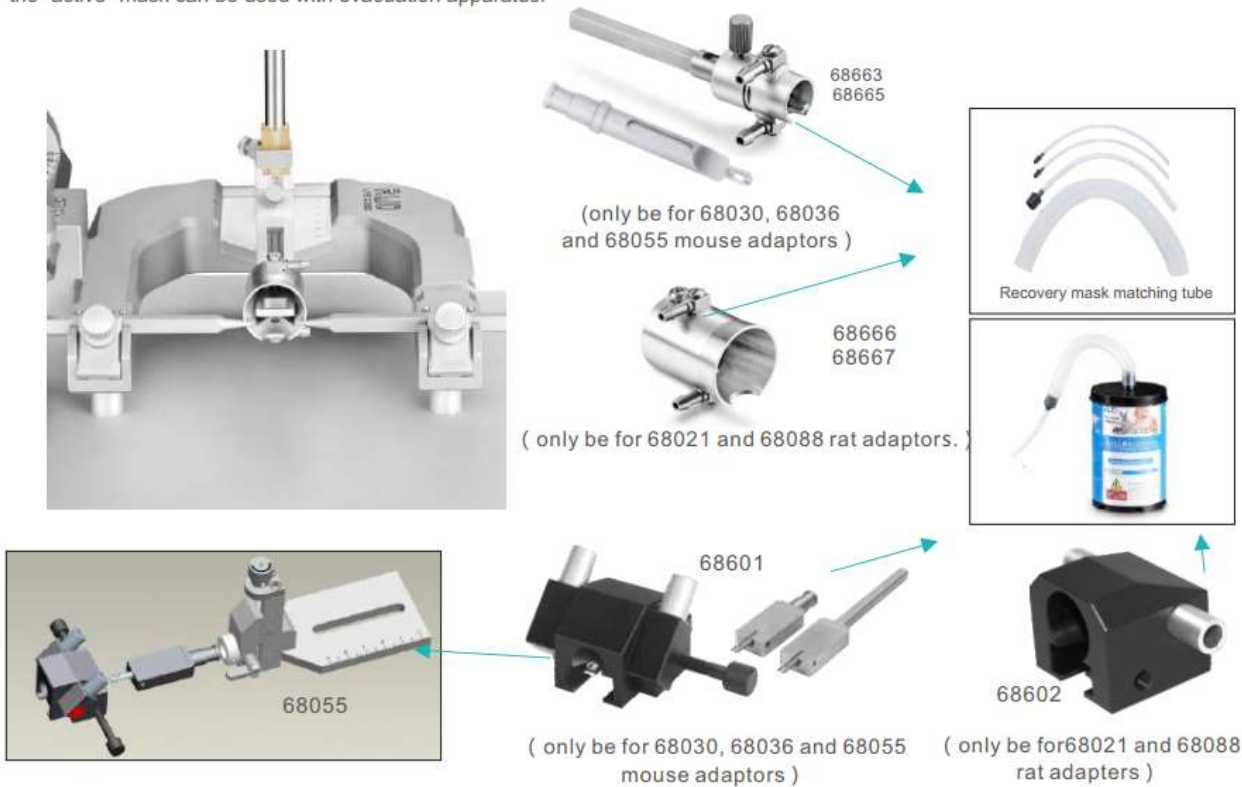


## • Stereotaxic Frame Nosecone Masks

This type of anesthetic masks is specifically designed to fit most stereotaxic frame and deliver anesthetic gases with minimal exposure during surgery. They are locked onto the adaptor with the cone opening toward the open "U". The animal's teeth is placed over the incisor bar.

Two kinds of Stereotaxic Frame Nosecone Masks are available: one is "passive" mask with collinear inlet and outlet, and the other one is "active" mask with separate (non-collinear) inlet and outlet on both sides. Tthe "passive" mask is used with charcoal canister only, and the "active" mask can be used with evacuation apparatus.



### Order Information:

Cat No.	Product Description	Remarks
68601	Stereotaxic Anesthesia Mask Kit -mice or neonatal rat ( <70g , Canister & Tubing included )	For Passive Scavenging
68602	Stereotaxic Anesthesia Mask Kit - rats ( <300g , Canister & Tubing included )	
68663	Stereotaxic Anesthesia/Evacuation mask- mice or neonatal rats (<30g)	For Active Scavenging
68665	Stereotaxic Anesthesia/Evacuation mask- mice or neonatal rats (30~70g)	
68666	Stereotaxic Anesthesia/Evacuation mask- rats (<300g)	
68667	Stereotaxic Anesthesia/Evacuation mask- rats (>300g)	